

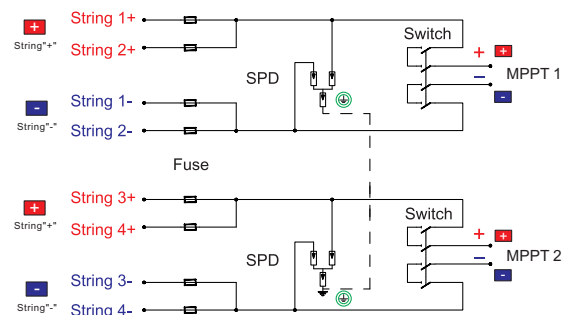
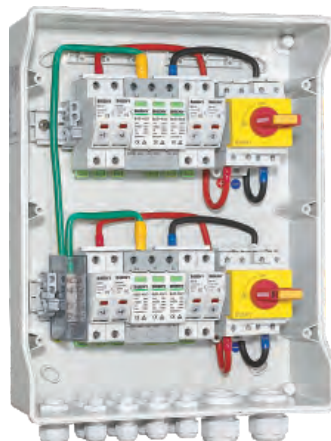


Solar DC String Box

4 Strings Input 2 Strings Output DC



General Data		DC Surge Arrester	BUD-40/3
Model No.	BHS-4/2	Max Operation Voltage (Ucpv)	1000V
Input	4 strings	Standard Compliance with	EN 50539 Type 2
Output	2 strings	Maximum Discharge Current	40 KA
Maximum Voltage	1000V	Certification	TUV CE
Max DC Short Circuit Current Per Input (Isc)	15A (Changeable)		
Maximum Current Output	32A		
Enclosure		DC fuse holder	BR-30
Material Type	Polycarbonate/ABS	LED Indicator	Yes
Degree of Protection	IP65	Rated Working Voltage	1000V
Degree of Resistance to Impacts	IK10	Fuse Link	10x38mm LITTEL 15A
Dimension (WxHxD)	292 x370 x 132mm	Certification	UL,CB,CE
Cable input Entry	PG09 Cable Gland, 2.5-16mm ²		
Output Cable Gland	PG21 2.5-16mm ²		
DC Switch Disconnecter		Environment	
Rated Insulation Voltage (Ui)	1000V	Operating Temperature	-20°C~+60°C
Rated Current (Ie)	32A	Humidity	99%
Category	DC21B/PV2	Altitude	2000M
Standard Compliance with	IEC 60947-3	Installation	Wall Mounting
Certification	UL, TUV,KEMA,SAA,CE		



BHS-4/2